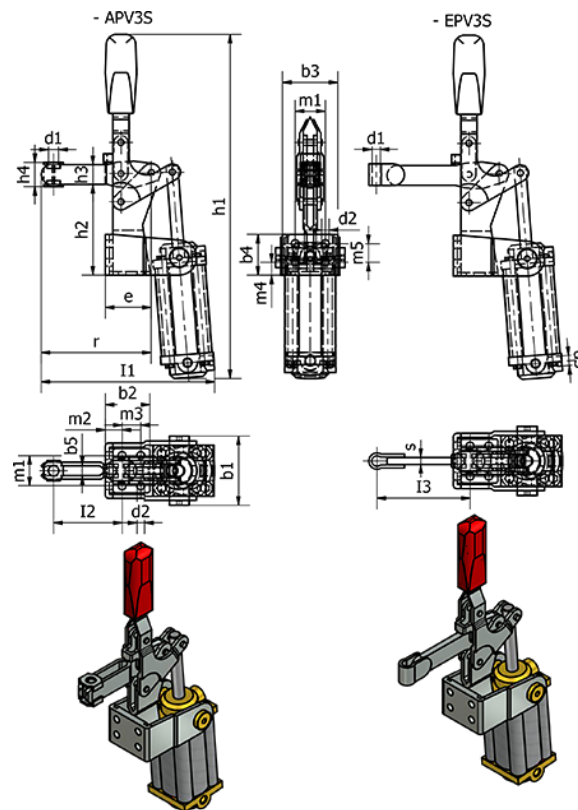


Data Sheet



Article number: 208621300APV3S
 Description: E+G Ganter clamps
 GN 862.1-300-APV3S

Measures



b1	= 68.5	d3	= G 1/4"	I2	= 74	m4	= 12
b2	= 53	e	= 50.5	I3	= 104	m5	= 30
b3	= 60.5	h1	= 360	I1	= -	r	= 12
b4	= 50	h2	= 108	I2	= -	s	= 8
b5	= 10.3	h3	= 20	I3	= -	Weight in g	= 24
Clamping force at 4 bar in air press	= -	h4	= 41	m1	= 30		
d1	= M10	Holding force in N	= 2700	m2	= 16.5		
d2	= 8.5	I1	= 187	m3	= 30		